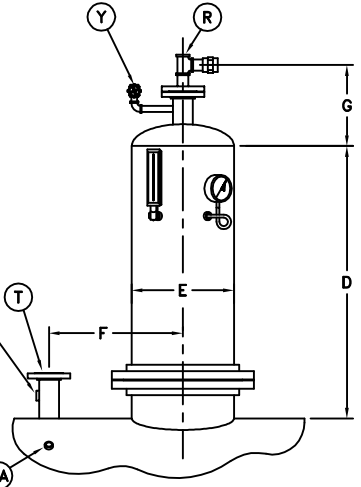


FRONT VIEW
 UNITS 14MT THRU 125MT

SIDE VIEW



ALTERNATE FRONT VIEW
 UNITS 3.5MT THRU 11MT

MODEL NO.	3.5MT	5MT	7MT	9MT	11MT	14MT	18MT	21MT	24MT	30MT	40MT	50MT	70MT	80MT	90MT	100MT	125MT
CAP-LBS/HR	3,500	5,000	7,000	9,000	11,000	14,000	18,000	21,000	24,000	30,000	40,000	50,000	70,000	80,000	90,000	100,000	125,000
STORAGE CAPACITY (NOTE 2)	MINUTES	21	15	11	10	11	12	12	10	12	10	10	11	10	11	10	10
	GALLONS	150	150	150	182	245	276	418	418	592	592	793	1028	1596	1596	1928	2094
A (APPROX)	63	63	63	75	99	111	113	113	116	116	118	120	125	125	127	169	185
B STORAGE STRAIGHT LENGTH	48	48	48	60	84	96	96	96	96	96	96	96	96	96	96	140	154
C STORAGE DIAMETER	30	30	30	30	30	30	36	36	42	42	48	54	66	66	72	66	72
D DEAERATOR STRAIGHT LENGTH	48	48	48	48	48	48	54	54	54	54	54	54	54	54	54	42	42
E DEAERATOR DIAMETER	18	18	18	18	18	24	30	36	36	36	36	42	48	54	54	54	60
F	19	19	19	18	19	30	30	30	30	30	30	30	30	30	30	24	24
G (APPROX)	17	17	17	17	17	16	17	19	19	13	13	15	16	18	18	16	17
H	24	24	24	30	42	48	48	48	48	48	48	48	48	48	48	70	77
J	5	5	5	5	5	6	6	6	6	6	6	6	6	6	6	9	13
K STAND LENGTH	44	44	44	48	52	60	78	78	78	78	78	78	84	84	84	104	118
L STAND WIDTH	24	24	24	24	24	30	30	30	36	36	44	48	56	56	66	56	66
M (APPROX)	27	27	27	27	27	23	26	26	29	29	32	35	41	41	44	41	44
N RECIRC	1 1/4	1 1/4	1 1/4	1 1/4	1 1/4	1 1/2	1 1/2	1 1/2	1 1/2	1 1/2	1 1/2	1 1/2	1 1/2	1 1/2	1 1/2	2	2
P CHEMICAL INJECTION	1 1/4	1 1/4	1 1/4	1 1/4	1 1/4	1 1/4	1 1/4	1 1/4	1 1/4	1 1/4	1 1/4	1 1/4	1 1/4	1 1/4	1 1/4	1 1/4	1 1/4
R LOW TEMP RETURNS	1	1	1	1	1 1/2	2	2	2 1/2	2 1/2	2 1/2	2 1/2	2 1/2	3	3	3	4	4
S HIGH TEMP RETURNS	1	1	1	1	1	1 1/2	1 1/2	1 1/2	1 1/2	1 1/2	1 1/2	1 1/2	2	2	2	2 1/2	2 1/2
T STEAM INLET	3	3	3	3	3	4	4	6	6	6	6	8	8	10	10	10	10
U VESSEL DRAIN	3/4	3/4	3/4	3/4	3/4	1	1	1	1	1	1 1/2	1 1/2	1 1/2	1 1/2	1 1/2	2	2
V OVERFLOW TRAP	1 1/2	1 1/2	2	2	2	2	2	2	2	2	2	3	3	3	3	3	4
W VACUUM BREAKER	1 1/2	1 1/2	1 1/2	1 1/2	1 1/2	1 1/2	2	2	2	2	2 1/2	2 1/2	2 1/2	2 1/2	3	3	3
X SENTINEL RELIEF VALVE	1	1	1	1	1	1	1	1	1	1	1	1	1	1	1	1	1
Y VENT	3/4	3/4	3/4	3/4	3/4	3/4	3/4	3/4	3/4	3/4	1 1/2	1 1/2	1 1/2	1 1/2	1 1/2	2	2
Z WATER INLET CONTROL VALVE	3/4	3/4	3/4	3/4	3/4	3/4	1	1	1	1 1/4	1 1/4	1 1/4	1 1/2	2	2	2	2
AA PRV SENSING	3/4	3/4	3/4	3/4	3/4	3/4	3/4	3/4	3/4	3/4	3/4	3/4	3/4	3/4	3/4	3/4	3/4
AB PUMP SUCTION	3	3	3	3	3	4	4	4	4	4	6	6	6	6	6	8	8
AC SAMPLE	3/4	3/4	3/4	3/4	3/4	3/4	3/4	3/4	3/4	3/4	3/4	3/4	3/4	3/4	3/4	3/4	3/4

- NOTES**
1. DETERMINED BY SPECIFIC PUMP REQUIREMENTS.
 2. STORAGE CAPACITY TO OVERFLOW.
 3. SIZES 3.5MT THRU 11MT WILL HAVE TRAY ACCESS THROUGH COLUMN FLANGE (SEE ALT. FRONT VIEW)
 4. ALL DIMENSIONS IN INCHES.
 5. THIS DRAWING NOT FOR CONSTRUCTION PURPOSES.



DIMENSIONS CLASS "T"
 PACKAGED TRAY TYPE DEAERATOR