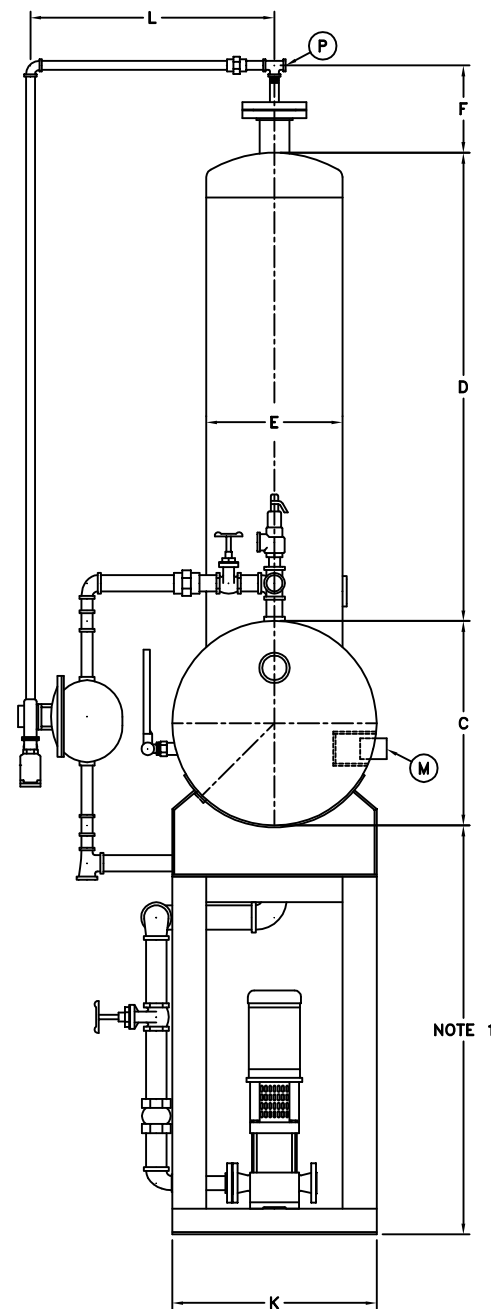
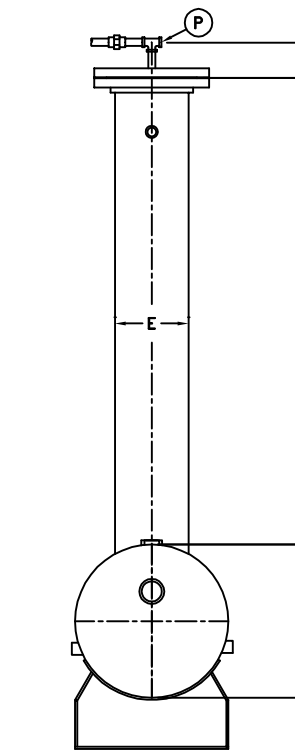


FRONT VIEW
 UNITS 1.5MP THRU 11MP



SIDE VIEW



ALTERNATE SIDE VIEW
 UNITS .2MP THRU 1MP

NOTES

1. DETERMINED BY SPECIFIC PUMP REQUIREMENTS.
2. STORAGE CAPACITY TO OVERFLOW.
3. SIZES .2MP THRU 1MP WILL HAVE PACKING ACCESS THROUGH COLUMN FLANGE (SEE ALT. FRONT VIEW)
4. ALL DIMENSIONS IN INCHES.
5. THIS DRAWING NOT FOR CONSTRUCTION PURPOSES.

MODEL NO.	.2MP	.5MP	1MP	1.5MP	2.5MP	3.5MP	5MP	7MP	9MP	11MP
CAP-LBS/HR	200	500	1,000	1,500	2,500	3,500	5,000	7,000	9,000	11,000
STORAGE CAPACITY (NOTE 2)	MINUTES	30	12	15	10	10	12	12	11	10
	GALLONS	12	12	31	31	50	88	126	150	182
A (APPROX)	56	56	58	58	70	60	88	62	74	98
B STORAGE STRAIGHT LENGTH	48	48	48	48	60	48	72	48	60	84
C STORAGE DIAMETER	12	12	18	18	18	24	24	30	30	30
D DEAERATOR STRAIGHT LENGTH	55	55	55	55	55	55	55	55	55	55
E DEAERATOR DIAMETER	4	6	8	10	12	14	16	20	20	24
F (APPROX)	4	4	4	12	12	12	12	12	12	12
G	24	24	24	24	30	24	36	24	30	42
H	4	4	5 1/2	5 1/2	5 1/2	5 1/2	5 1/2	5	5	5
J STAND LENGTH	42	42	42	42	48	42	60	42	48	60
K STAND WIDTH	18	18	18	24	24	24	24	30	30	30
L (APPROX)	18	18	20	20	20	22	22	25	25	25
M RECIRC	3/4	3/4	3/4	3/4	3/4	1 1/2	1 1/2	1 1/2	1 1/2	1 1/2
N CHEMICAL INJECTION	2	2	2	2	2	2	2	3	3	3
P LOW TEMP RETURNS	1/2	1/2	1/2	1/2	1/2	3/4	3/4	1 1/2	1 1/2	1 1/2
Q STEAM INLET	1	1	1	1	1	2	2	3	3	3
R VESSEL DRAIN	2	2	2	2	2	2	2	2	2	2
S OVERFLOW TRAP	3/4	3/4	1 1/4	1 1/4	1 1/2	1 1/2	1 1/2	2	2	2
T VACUUM BREAKER	3/4	3/4	3/4	3/4	3/4	1 1/2	1 1/2	1 1/2	1 1/2	1 1/2
U SENTINEL RELIEF VALVE	1	1	1	1	1	1	1	1	1	1
V VENT	1/2	1/2	1/2	1/2	1/2	3/4	3/4	3/4	3/4	3/4
W WATER INLET CONTROL VALVE	3/4	3/4	3/4	3/4	3/4	3/4	3/4	3/4	3/4	3/4
X PRV SENSING	3/4	3/4	3/4	3/4	3/4	3/4	3/4	3/4	3/4	3/4
Y PUMP SUCTION	1 1/2	1 1/2	2	2	2	2 1/2	2 1/2	3	3	3
Z SAMPLE	3/4	3/4	3/4	3/4	3/4	3/4	3/4	3/4	3/4	3/4



DIMENSIONS CLASS "P"
 PACKAGED PACKED COLUMN DEAERATOR